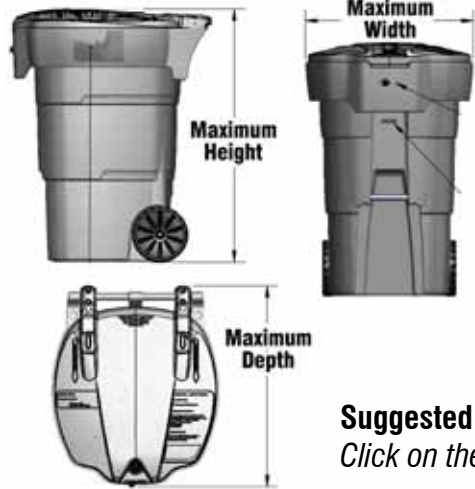


# Bearicuda Aspen Storage Enclosure Sizing Chart



1. Measure the maximum height, width and depth of your can. When measuring your can be sure to measure the highest height, deepest depth and widest width to include can handles and wheels if applicable. Then add at least 2-3" or more to comfortably fit the cans thru the door and the inside depth and height of the enclosure.

2. Then reference our Aspen bin sizing chart dimensions below to ensure you have selected the best size configuration for your cans.

**Suggested configurations: Measure your cans to select the best configuration.**  
*Click on the product SKU number to go to that product page.*



	ENC120	ENC120L	ENC120XL	ENC121	ENC121L	ENC122	ENC122L	ENC122XL	ENC123	ENC124	ENC150	ENC151
	1 Door	1 Door	1 Door	2 Door	2 Door	3 Door	3 Door	3 Door	2 Door	2 Door	1 Door	2 Door
<b>Interior Dim:</b>	30" W x 39" H	30" W x 43" H	43" W x 43" H	58" W x 39" H	58" W x 43" H	86" W x 39" H	86" W x 43" H	93" W x 48" H	86" W x 49" H	72" W x 48" H	40" W x 50" H	78" W x 50" H
<b>Depth</b>	21" Deep	27" Deep	37" Deep	21" Deep	27" Deep	21" Deep	27" Deep	34" Deep	31" Deep	37" Deep	37" Deep	37" Deep
<b>Door Dim:</b>	23" W x 35.5" H	24" W x 40" H	30" W x 40" H	23" W x 35.5" H	24" W x 40" H	23"W x 35.5"H	24" W x 40"H	27" W x 45" H	37" W x 47" H	29" W x 45" H	32" W x 47" H	32" W x 47" H

**Note:** Combine **ENC150** and **ENC151** to fit 3 large style trash cans.

